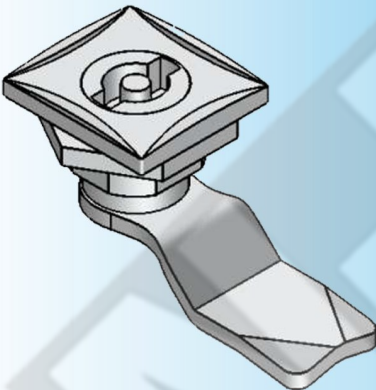


For Product Step File or 3D Model Send a Request Mail To info@nrack.com

Photo View

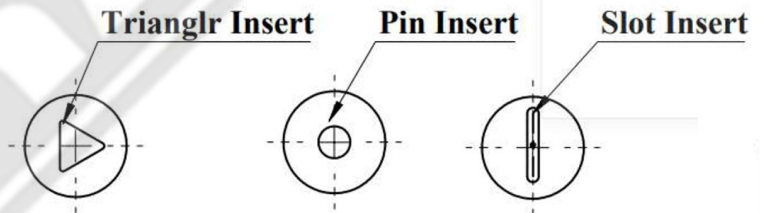
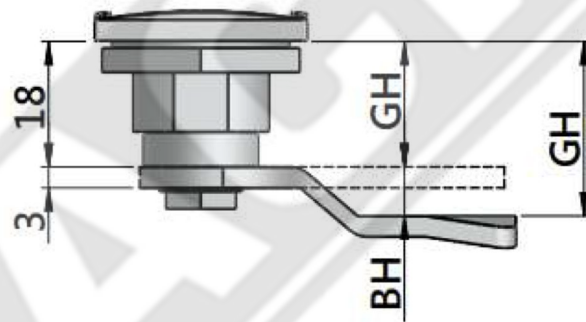
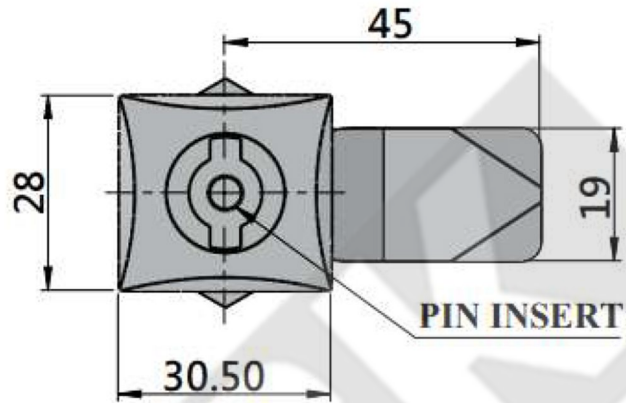


3D Rendered View

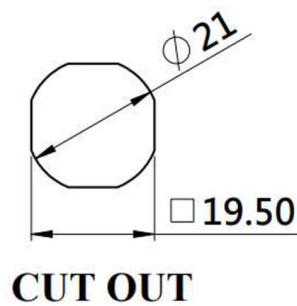


**PL - 09 - 1 - 1**

- Material: Zinc Die Casting - Body,
- Finish: Chrome Plating



Availble Inserts



GRIPPING HEIGHT (GH)	BENDING HEIGHT (BH)
18	00
20	02
25	07
30	12